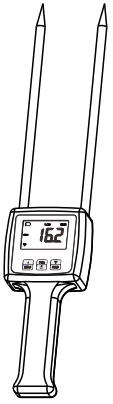


PAPER BALE MOISTURE METER



TK100M

All right reserved 2011

Paper bale moisture meter TK100M used for measuring moisture content of paper materials (such as paper parcel, paper bale, paper dust and waste paper). It is applicable for paper making, flakeboard, furniture and mechanism of charcoal industry.

2. Specification

Display: 4 digital LCD
 Measuring range: 0-95%
 Operating conditions:
 Temperature: -10~60°C
 Humidity: <85%RH
 Resolution: 0.1
 Accuracy: $\pm 0.5\%$
 Operating principle:
 Electrical conductivity,
 Automatic temperature
 Compensation
 Power supply:
 4x1.5 AAA size (UM-4) battery
 Dimensions:
 460x75x35mm
 18.3x3x1.4 inch
 Weight:
 203g (not including batteries)

press key 3-5 or 3-10 to choose your suitable value according to your needs, press key 3-10 again back to the operation state.
 5.2 Setting the "AL1" just the same ways as "AL2".
 5.3 Usually, "AL2" must be larger than "AL1", if the "AL2" is less than "AL1" during the setting process, then the instrument will be returned back to the factory setting, just to say, AL1=13, AL2=18.

6. Replace batteries

When the battery symbol is shown on the display, it must be replaced in time. Slide the

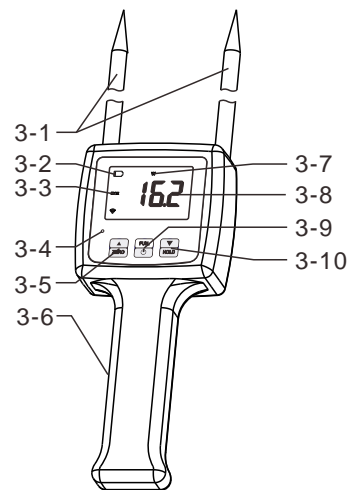
1. Features:

- 1.1. It is portable, compact, easy to use and the moisture measurement readings are instant.
- 1.2. Digital display with back light gives exact and clearly reading although you stay at the same conditions.
- 1.3. It will save time and expense by monitoring dryness and helps to prevent deterioration & decay caused by moisture whilst in storage, therefore processing will be more convenient and efficient.
- 1.4. The moisture meter operates by electrical

conductivity and has automatic temperature compensation.

- 1.5. Measurements are taken by inserting the sensors into the bale of wood powder related materials.
- 1.6. Manual off at any time. Auto power off after 5 minutes from last operation.

3. Panel descriptions



- 3-1 pin probe
- 3-2 low battery
- 3-3 max symbol
- 3-4 warning light
- 3-5 zero/inc key
- 3-6 battery cover
- 3-7 material symbol
- 3-8 testing value

3-9 power/function key 3-10 hold/dec key

4. Operation procedure

- 4.1 Turn on the power key 3-9, the symbol "0" will be shown on the display. It will need zeroing if another value is shown, please depress the ZERO key 3-5 while the probe sensor is not touching anything, or zeroing is not efficient. Making zeroing can decrease the effect of temperature and humidity in the air.
- 4.2 Hold the instrument with your hand, insert the probes

Thanks for choosing our moisture meters! For your easy to master this instrument as soon as possible, please read the following instructions carefully and always keep this meter within easy reach.

into the materials straightly, the probes are more deeper, the value is better.

- 4.3 Depress the Hold key 3-10, the symbol "max" will be shown on the display, then the max value must be stored on the display when measuring. Depress the key 3-10 again, this function will be canceled.

5. Warning setting

- 5.1 Depressing key 3-9 and don't release until "AL2" is shown on the display (it will take 5 seconds to complete operation), then

batteries cover, put the batteries into the hole correctly.

Notes:

- Please take out the batteries if the instrument is not used for a long time.
- Put the probe in the air without touching anything when zeroing, or the zeroing is not efficient.